

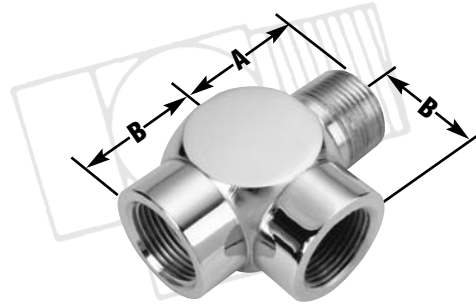
ADAPTERS

T A P E R E D P I P E T H R E A D

ST • Street Tees

Part No.	Male Pipe Thread	Female Pipe Thread	"A" Male Pipe Leg	"B" Female Pipe Leg
2ST	1/8"	1/8"	13/16"	21/32"
4ST	1/4"	1/4"	13/16"	29/32"
6ST	3/8"	3/8"	15/16"	31/32"
8ST	1/2"	1/2"	1 1/2"	1 1/4"
12ST	3/4"	3/4"	1 21/32"	1 11/32"
16ST	1"	1"	2 1/16"	1 5/8"
20ST	1 1/4"	1 1/4"	2 1/2"	1 11/16"
24ST	1 1/2"	1 1/2"	2 3/4"	2 1/16"
32ST	2"	2"	3 1/8"	2 3/8"

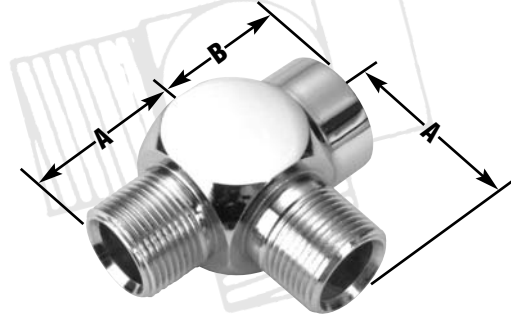
ST
STREET TEES



MST • Male Street Tee

Part No.	Male Pipe Thread	Female Pipe Thread	"A" Male Pipe Leg	"B" Female Pipe Leg
2MST	1/8"	1/8"	13/16"	21/32"
4MST	1/4"	1/4"	13/16"	29/32"
6MST	3/8"	3/8"	15/16"	31/32"
8MST	1/2"	1/2"	1 1/2"	1 1/4"
12MST	3/4"	3/4"	1 21/32"	1 11/32"
16MST	1"	1"	2 1/16"	1 5/8"
20MST	1 1/4"	1 1/4"	2 1/2"	1 11/16"

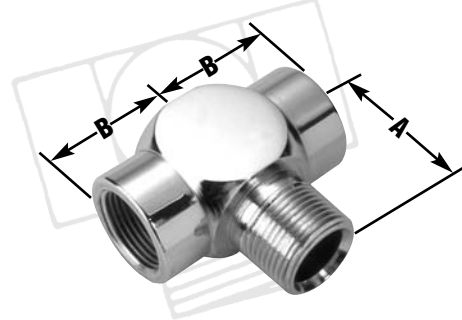
MST
MALE STREET TEE



FRT • Female Run Tee

Part No.	Male Pipe Thread	Female Pipe Thread	"A" Male Pipe Leg	"B" Female Pipe Leg
2FRT	1/8"	1/8"	13/16"	21/32"
4FRT	1/4"	1/4"	13/16"	29/32"
6FRT	3/8"	3/8"	15/16"	31/32"
8FRT	1/2"	1/2"	1 1/2"	1 1/4"
12FRT	3/4"	3/4"	1 21/32"	1 11/32"
16FRT	1"	1"	1 5/8"	1 5/8"
20FRT	1 1/4"	1 1/4"	2 1/2"	1 11/16"
24FRT	1 1/2"	1 1/2"	2 3/4"	2 1/16"

FRT
FEMALE RUN TEE



MRT Male Run Tee

Part No.	Male Pipe Thread	Female Pipe Thread	"A" Male Pipe Leg	"B" Female Pipe Leg
2MRT	1/8"	1/8"	13/16"	21/32"
4MRT	1/4"	1/4"	13/16"	29/32"
6MRT	3/8"	3/8"	15/16"	31/32"
8MRT	1/2"	1/2"	1 1/2"	1 1/4"
12MRT	3/4"	3/4"	1 21/32"	1 11/32"
16MRT	1"	1"	2 1/16"	1 5/8"
20MRT	1 1/4"	1 1/4"	2 1/2"	1 11/16"

MRT
MALE RUN TEE

